

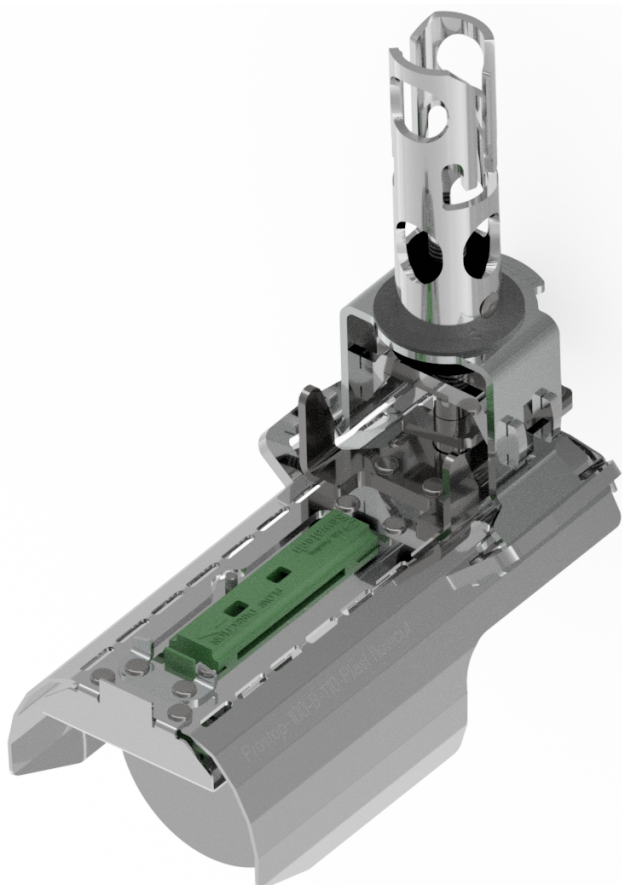
## Overzicht

# CAMRO PROSTOP Rottespærre, Flowcut, Ø100 Beton/Ø110 PVC, Indløb

Varenummer: 700058

## Pris

Priser er ekskl. moms dertil kommer fragt



## Beskrivelse

CAMRO PROSTOP® Flowcut rat blocker for Ø100 (concrete) or Ø110 (plastic) built for installation in the inlet direction. The latest version of PROSTOP features optimized flow capacity to further minimize the risk of blockages in the sewer.